

# THERMAL FOAMING INKJET PRINTER

INDEPENDENTLY DEVELOPED  
VARIABLE DATA PRINTING SYSTEM  
CALCULATE PRINTING COSTS  
IN REAL TIME

INDUSTRIAL DESIGN  
WIRELESS KEYBOARD AND MOUSE CONTROL  
PRINTING SPEED UP TO 240M/MIN  
GS1 DATAMATRIX



More Reliable  
Professional Hardware

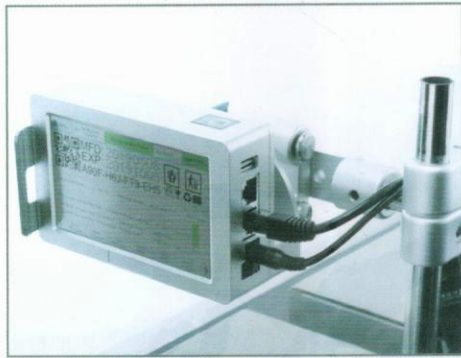
Use of the American TI's AM3358 Industrial Grade CPU, Xilinx Spant6 Industrial Grade FPGA. More stable, reliable and anti-interferences in various conditions rendering the printing a unique experience. The print engine uses TIJ dedicated ASIC chip, a perfect match for a variety of original and licensed HP Inks. Professional Cartridge preheat algorithm to ensure optimum print quality at high and low temperatures and environments.

Intelligent embedded Linux operating system provides a professional and more user friendly interface. Embedded powerful drop consumption algorithm that allow instant calculation of cost per print. Powerful variable functions of the 2D Code to meet the today growing customers' demand. Efficient and flexible variable database functions to meet

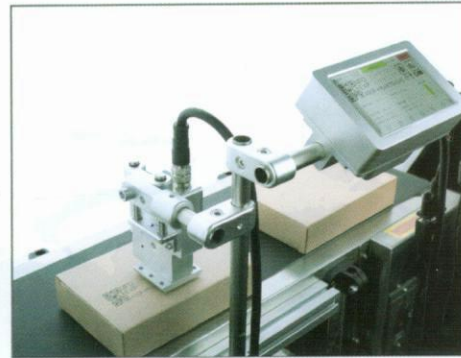
More Powerful  
Smarter Software

# T1 SERIES

INDEPENDENT NOZZLE MAKES FLEXIBLE AND EFFICIENT INDUSTRIAL GRADE 10 INCH TOUCH SCREEN



T110-M  
INTEGRATED INKJET PRINTER



T180 PLUS\T190 PLUS  
HALF INCH\ONE INCH  
INDEPENDENT HEAD INKJET PRINTER

# T2 SERISE

DOUBLE NOZZLES SEAMLESS STITCHING  
NETWORK REMOTE CENTRALIZED MANAGEMENT



T280  
RELIABLE PROTECTION  
INKJET PRINTER



T210\T290  
HALF INCH DOUBLE HEADS  
MAXIMUM PRINT HEIGHT 25.4MM  
ONE INCH DOUBLE HEADS  
MAXIMUM PRINT HEIGHT 50.8MM



T220\T230 ECONOMIC  
HALF INCH DOUBLE HEADS  
MAXIMUM PRINT HEIGHT 25.4MM  
ONE INCH DOUBLE HEADS  
MAXIMUM PRINT HEIGHT 50.8MM

# Application





T110-H\T130-H

SWITCH BETWEEN HANDHELD AND  
ONLINE, MULTI-SCENE APPLICATION



G100\G300

COMFORTABLE HANDLE WITH  
ERGONOMIC DESIGN



G50\G60

WIFI CONNECTION  
APP OPERATION

T6 SERIES

10 INCH COLOR DISPLAY  
FLEXIBLY ADAPT TO VARIOUS  
PRINTING SCENES

CONSUMABLES SERIES

GOOD ADHESION, HIGH DEFINITION



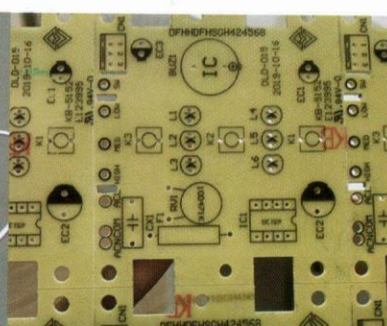
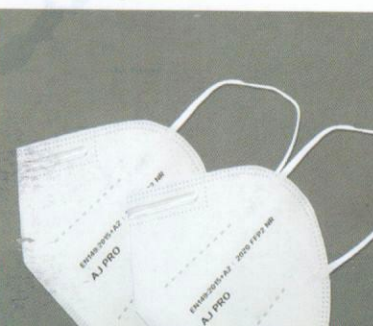
T600 SIX HEAD INKJET PRINTER

MULTIPLE SPLICING MODES WITH  
AMAXIMUM PRINT HEIGHT 76.2MM



HALF INCH\ONE INCH INK CARTRIDGE

FAST DRYING AND GOOD ADHESION



# Printing

Nozzle Type	Thermally Foamable Head TIJ2.5
Print Accuracy	150DPI / 300DPI / 600DPI
Print Speed	120m/min at 300DPI
Print Contents	Multi language Characters, 2DCode, Barcodes, Images, Serial Numbers, Date, Counters, Variable Database, RS232 to receive real data to print
Printable Substrates	Cardboard, Plastic, Metal, Cables, Electronic components, Auto Parts, Industrial Chemical packaging, Pharmaceuticals and more.
Ink Type	Aqueous or Solvent based 42ml Cartridges CIS S
Ink Color	Black, White, Red, Yellow, Blue, Green, Stealth, UV readable
Cartridge Chip	Contactless RFID tags for automatic identification and recording ink parameters and consumptions
Work Environment	Temperature 0-45 ° C / humidity 30-70% RH

# Machine

Operating System	Embedded Operating System
Main Hardware	American TI industrial grade CPU/USA Xilinx industrial grade FPGA / TIJ dedicated ASIC chip
Languages	Italian, English, French, Finnish, Arabic, Danish, German, Russian, Norwegian, Portuguese, Spanish, Japanese.
Body Material	Industrial Stainless steel

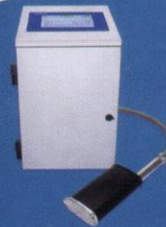
## OTHER CODING PRINTERS SERIES



CONTINUOUS SMALL CHARACTER INKJET PRINTERS



HANDHELD INKJET PRINTER



DOD LARGE CHARACTER INKJET PRINTER



LASER CODING PRINTER

### Head Office :

CE 13/A, Block-E, AIFalah Housing Society, Malir Halt, Karachi.



021-34594105-7



0311-2797397

info@smarttech.pk www.facebook.com/smarttech